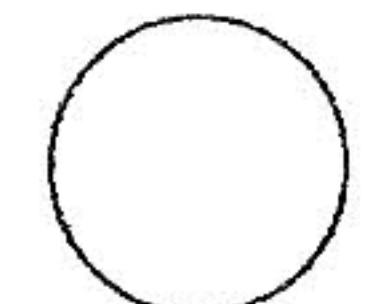
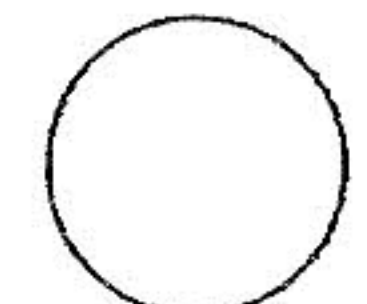


IHS 673 PORT BLOCK

INLET FROM FLOW VALVE



3/8 NPT INLET

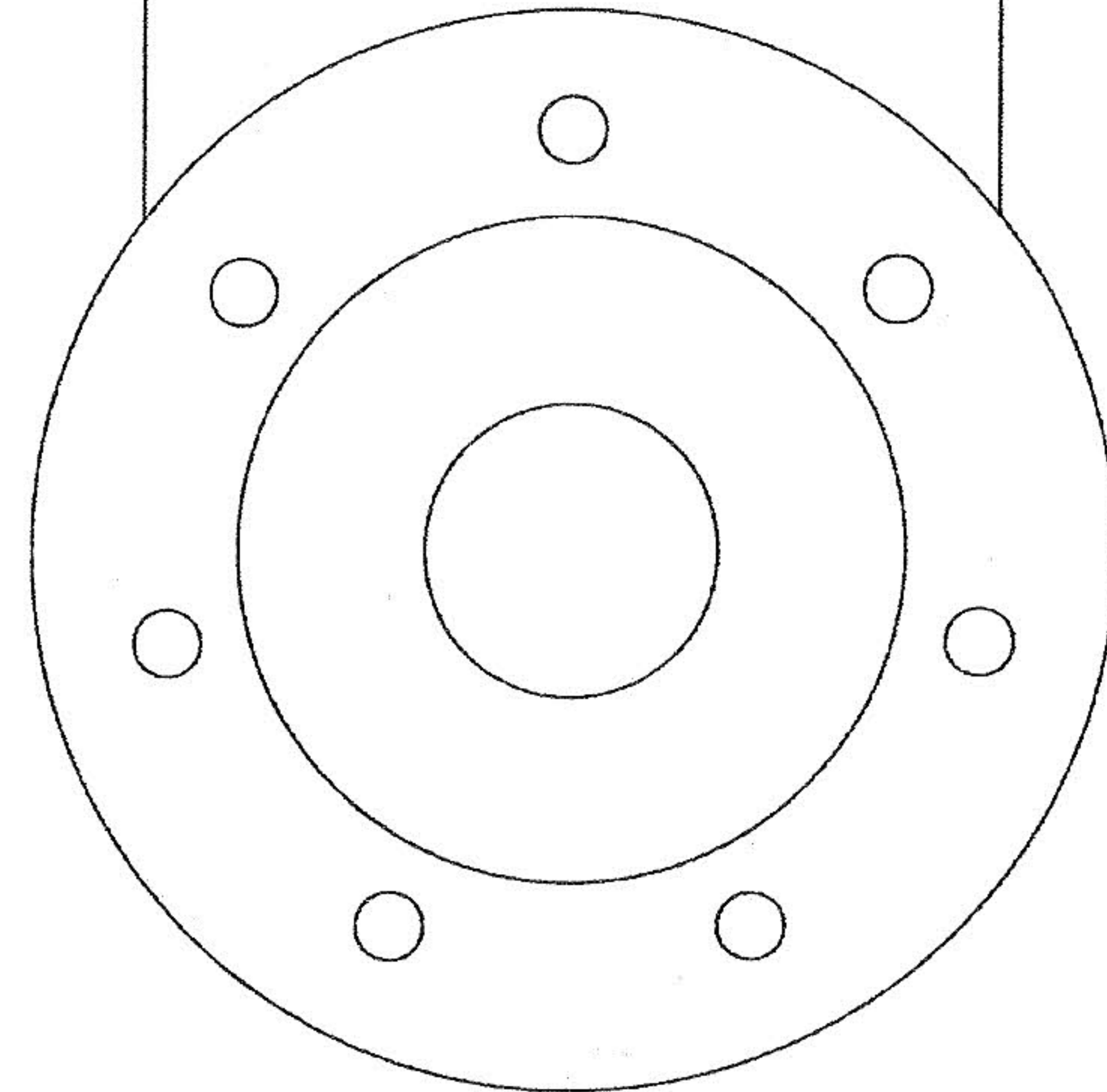


3/8 NPT OUTLET

OUTLET RETURNS TO HYD. TANK

IHS 555

ORBITAL



NOTE! THE PUMP INLET TO FLOW VALVE MUST BE DIRECTLY PLUMBED OFF THE PUMP, IT MUST NOT BE SPLIT OFF OF THE PUMP LINE. ALL HYD. VALVES AND CYLINDERS ARE SUPPLIED BY THE 1/2 NPT PORT OFF OF THE FLOW VALVE. FLOW VALVE IS PRESET AT 1500 PSI AT THE FACTORY. RETURN FROM ORBITAL CAN BE JOINED WITH RETURN FROM FLOW VALVE TO RETURN TO TANK.

RLS 09/15/2009

OUTLET TO ORBITAL

SUPPLY TO REMOTE VALVES AND CYLINDERS

3/8 NPT

1/2 NPT

IHS 740

FLOW CONTROL VALVE

PUMP INLET

1/2 NPT

RETURN TO TANK
3/8 NPT

PRESSURE ADJUSTMENT

