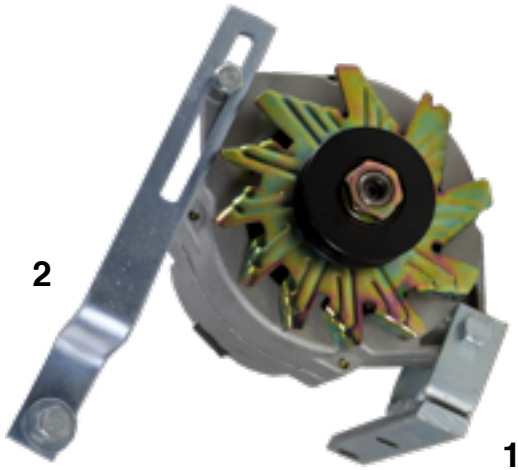


**Steiner Tractor Parts, Inc.**  
**1-810-621-3000**  
**Instructions for FDS1102 & FDS1106**



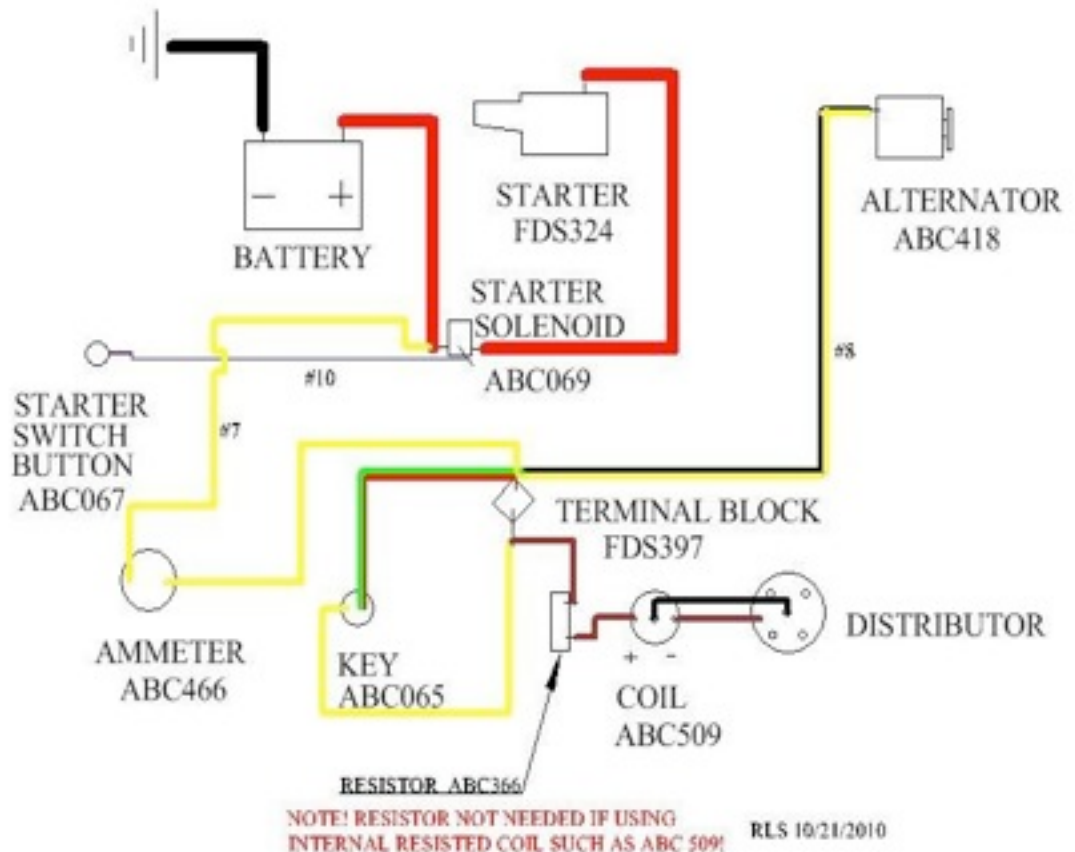
1. Bolts to side of engine.
2. Bolts to front corner of the head by the water pump.

**Instructions for ABC418 alternator.**

Run 1 wire from rear threaded stud to amp gauge.  
 Run a separate wire from other amp gauge terminal to positive post of battery, must switch from positive ground to negative ground system.

To switch from positive ground to negative ground reverse battery cables, reverse coil wires (except front mount Fords) and reverse amp gauge wires. If you already have a 12 volt negative ground system, these instructions are not necessary.

**FDS1102 AND FDS1106**



Note: All other leads to remain the same.

**FORD NAA, GOLDEN JUBULEE, & 600, 620, 630, 640,**  
**650, 660, 700, 740, 800, 820, 840, 850, 860, 900, 950, 960**  
**4 CYL, GAS WITH 1 WIRE ALTERNATOR & AMMETER**  
**(BASIC KIT)**

#7 = AMMETER TO STARTER SELONOID

(SAME TERMINAL AS POSTIVE BATTERY CABLE)

(YELLOW)

#8 = ALTERNATOR "BAT" TERMINAL BLOCK (SAME TERMINAL AS

IGNITION SWITCH, AMMETER, & LIGHT SWITCH LEADS)

(YELLOW WITH BLACK TRACERS)

#10 = STARTER BUTTON TO STARTER SELONOID

(RED WITH BLUE TRACERS)

NOTE,

1, SWAP LEADS ON THE IGNITION COIL SO THAT THE LEAD FROM THE TERMINAL BLOCK IS CONNECTED TO  
THE COIL (+) & THE COIL (-) GOES TO THE DISTRIBUTOR.

2, ALL OTHER LEADS TO REMAIN THE SAME!